

**SPECIFICATIONS**

**Material:** HEXSEALS: Silicone rubber conforms to A-A-59588 Class III, GR 60 unless otherwise specified.

**Mounting Nut:** HEXSEALS: Brass, nickel-plated (unless otherwise noted)

**Temperature Range:** HEXSEALS: -94°F to +400°F

**Pressure Range:** Exceeds 15 psi internal and 1500 psi external.

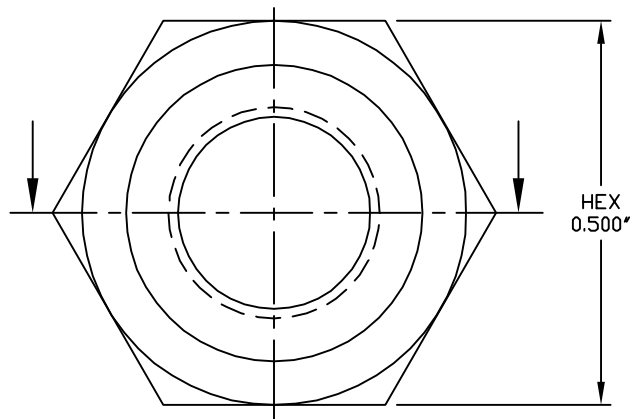
**Operational Life:** 50,000 actuations (minimum).

**Shelf Life:** Excess of 25 years.

**Resistant to:** Salt spray, sunlight, ozone, weather, fungus, and most acids and lubricating oils

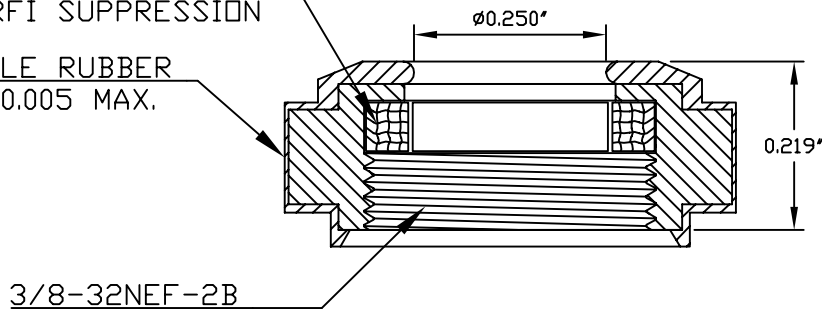
**Agency Recognition:** E-SEEL and HEXSEAL are UL listed to UL Std. 50 types 1-13, and meet CSA standards.

**Installation:** If a reducing adaptor is required- see page 14 of HEXSEAL catalog HEX200 for part numbers and drawing.



MONEL MESH  
PER QQ-N-281 CLASS A  
FOR EMI/RFI SUPPRESSION

PERMISSIBLE RUBBER  
OVERLAY 0.005 MAX.



G	MAT'L CHANGED and REDRAWN	S. GOK	07.10.09
F	CAD COMPUTER GENERATED		09.23.02
E	SLASH NO. 29, INSERT THREAD WAS 3/8-32 NEF-2B	A. S.	10.17.77
REV.	DESCRIPTION		DATE
MAXIMUM AND MINIMUM MEASUREMENTS ARE STATED DIRECTLY ON EACH DIMENSION.	TITLE EMI/RFI BOOT, ROTARY SEAL (N9030x1/4 RFI)	ENG.	
		DWN.	N. K. S. 01.18.67
MAT'L: Silicone Rubber conforms to A-A-59588, Gr. 60	APM-HEXSEAL CORPORATION	CHKD.	M. M. 01.18.67
FINISH: GRAY		SCALE 4 : 1	DWG. NO. N9030x1/4 RFI HEXSEAL®

THIS DRAWING COVERS PROPRIETARY ITEM AND IS THE PROPERTY OF THE APM-HEXSEAL CORPORATION.  
THIS DRAWING IS NOT TO BE COPIED OR USED WITHOUT THE WRITTEN APPROVAL OF AN OFFICER OF THE APM-HEXSEAL CORPORATION.